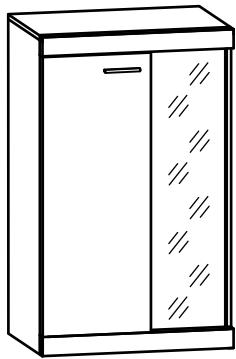


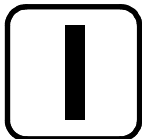
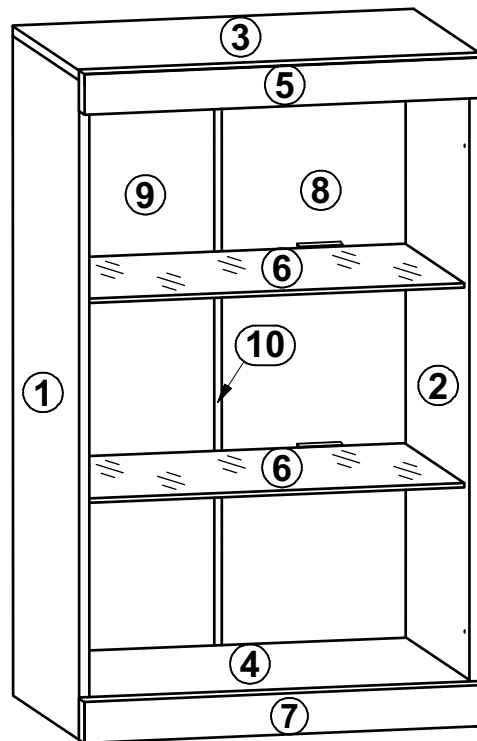
240 min

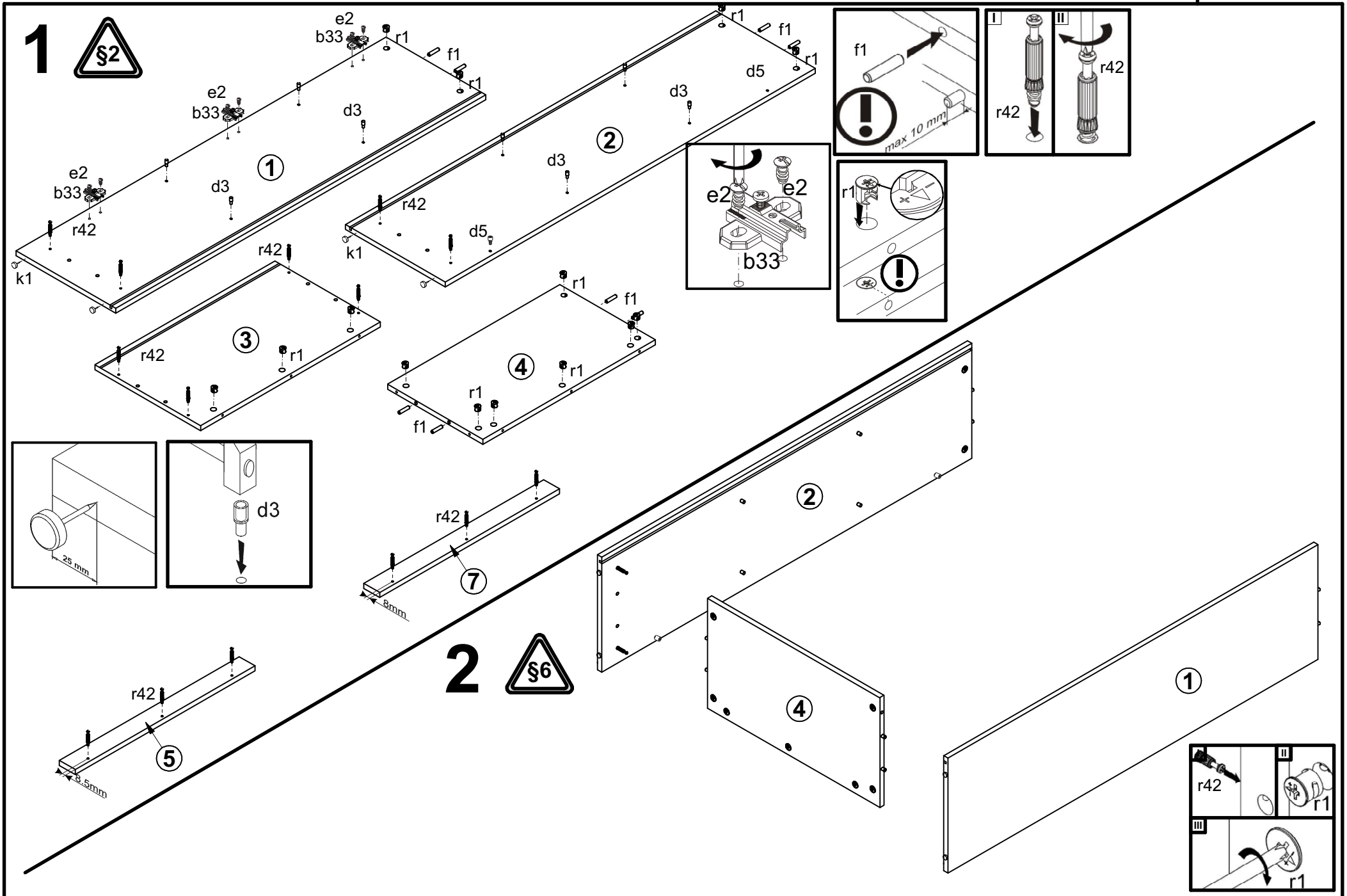
S11

4x K16 a43	6x K0 a44	4x D5 b19	6x D1.5 b33	5x c235 L=96/128 mm	16x d3 φ5x17 mm	4x d5 φ6,3x15 mm	12x e1 φ7x50 mm	2x e2 φ6,3x13 mm	6x e3 φ6x13 mm	4x e4 φ5x11 mm	4x e5 φ6,3x13 mm	4x e19 φ5x9 mm	40x f1 φ8x30 mm	4x f25 φ6,5x40 mm	7x f35 φ10x50 mm	2x g2
12x k1	30x l2	2x m3 L-236	3x 86x21x15/1,5mm n14/2	1x n165L	1x n165P	14x o1	2x silikon o21 φ8x1,8mm	6x p1 φ3,5x13 mm	10x p9 φ4x30 mm	5x p17 φ5x60 mm	4x p21 φ4x30 mm	32x p38 φ3,5x16 mm				
20x p51 φ3,5x15 mm	2x p75 φ6x60 mm	74x r1 φ15x12mm #16	74x 20/11 r42	16x s2 φ16	1x 300 mm w37DR	1x 300 mm w37CR	1x 300 mm w37DL	1x 300 mm w37CL	1x z1							

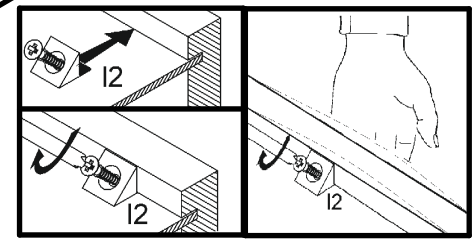
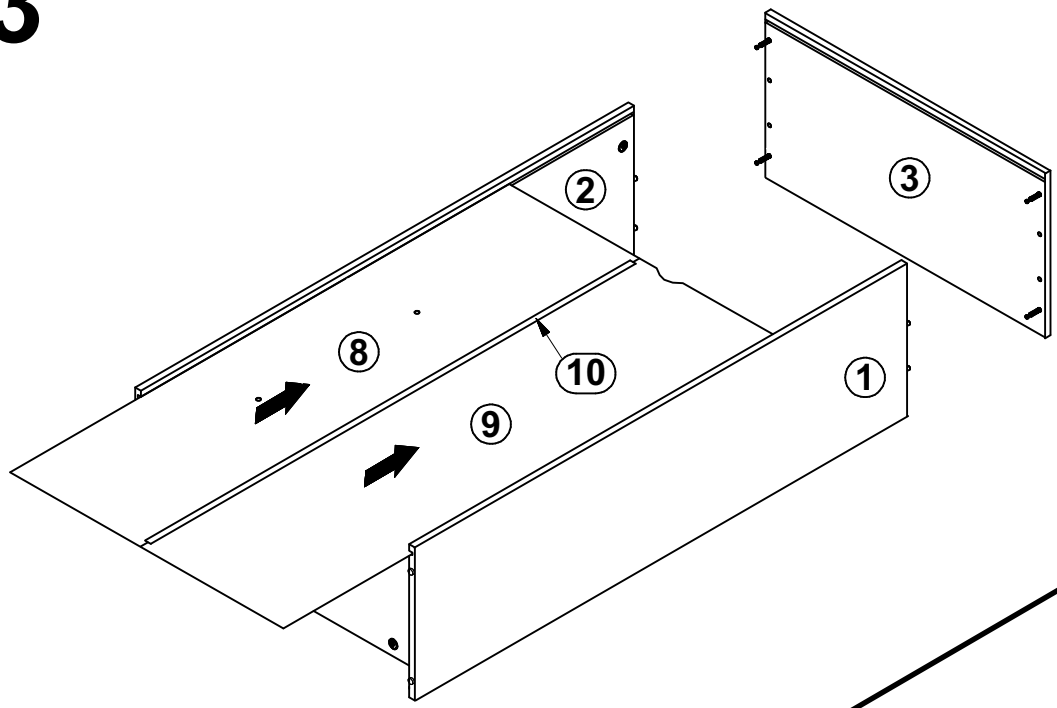
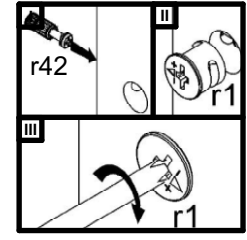


A	B	C (mm)		D
1	N46-107	985	338	3/4
2	N46-108	985	338	3/4
3	N46-203	600	338	3/4
4	N46-305	567	318	3/4
5	N46-506	600	60	3/4
6	N46-507	565	290	3/4
7	N46-509	600	60	3/4
8	N46-905	943	288	3/4
9	N46-906	943	288	3/4
10	Lh-920	920	14	3/4

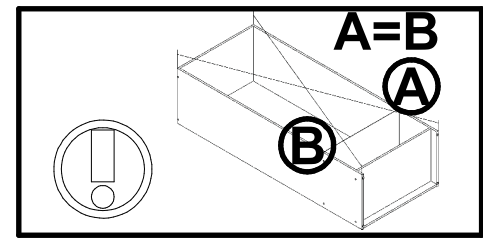
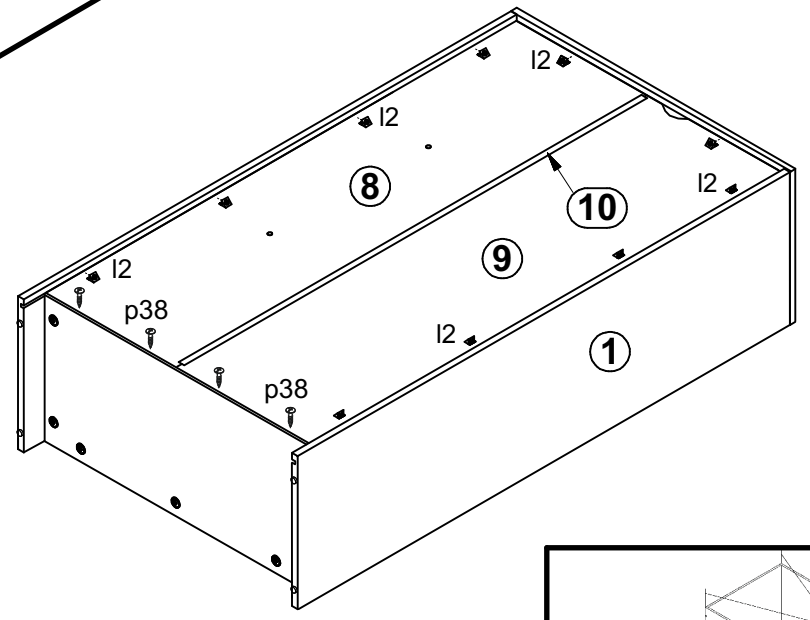




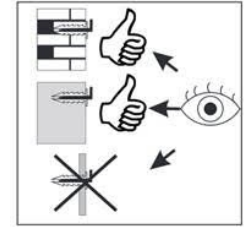
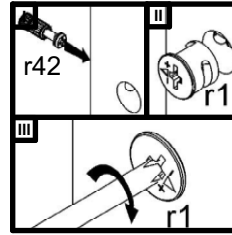
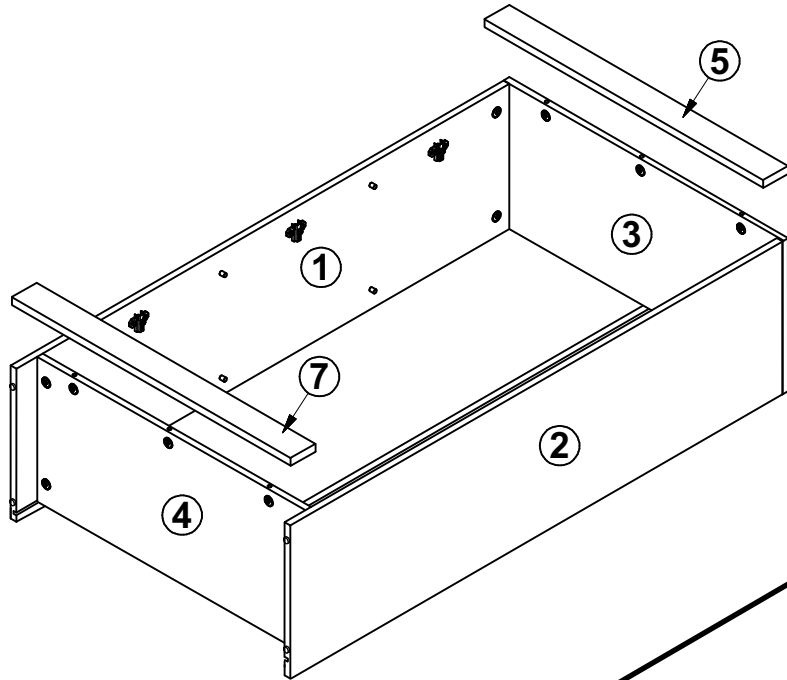
3



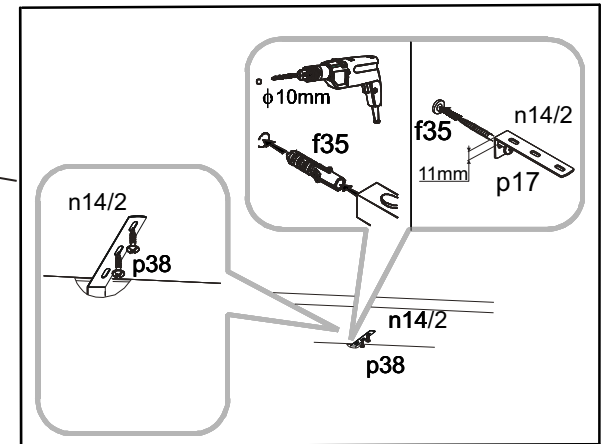
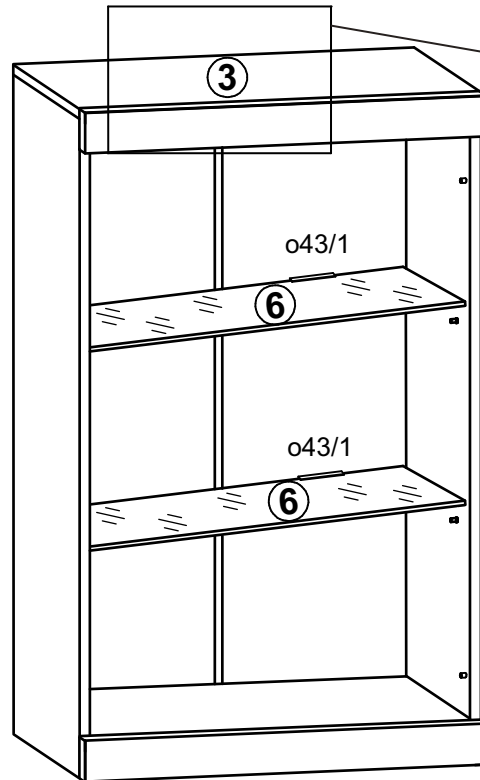
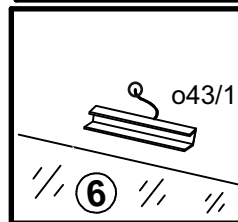
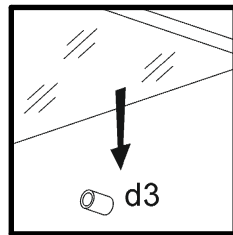
4

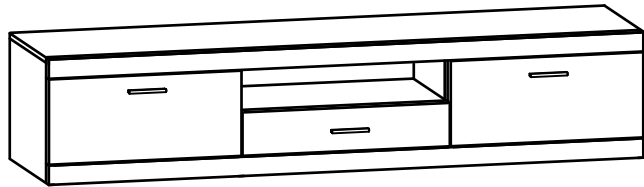


5

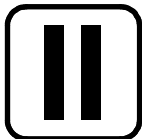
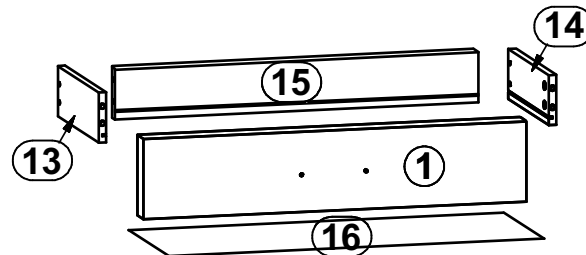
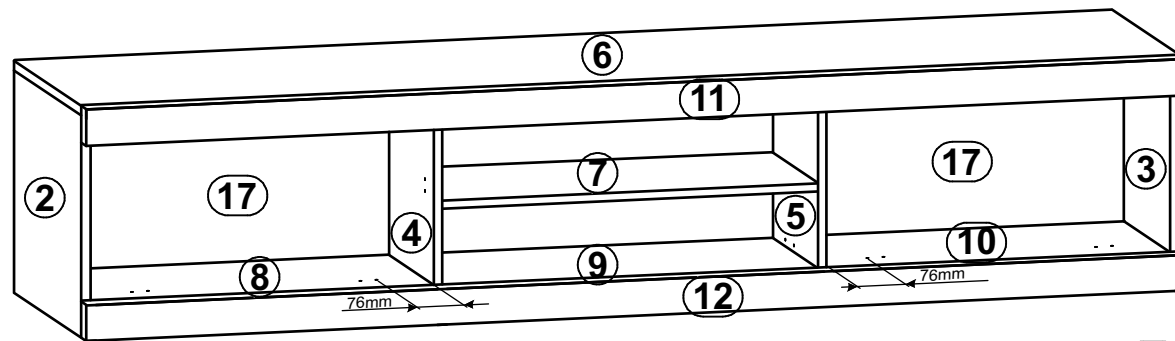


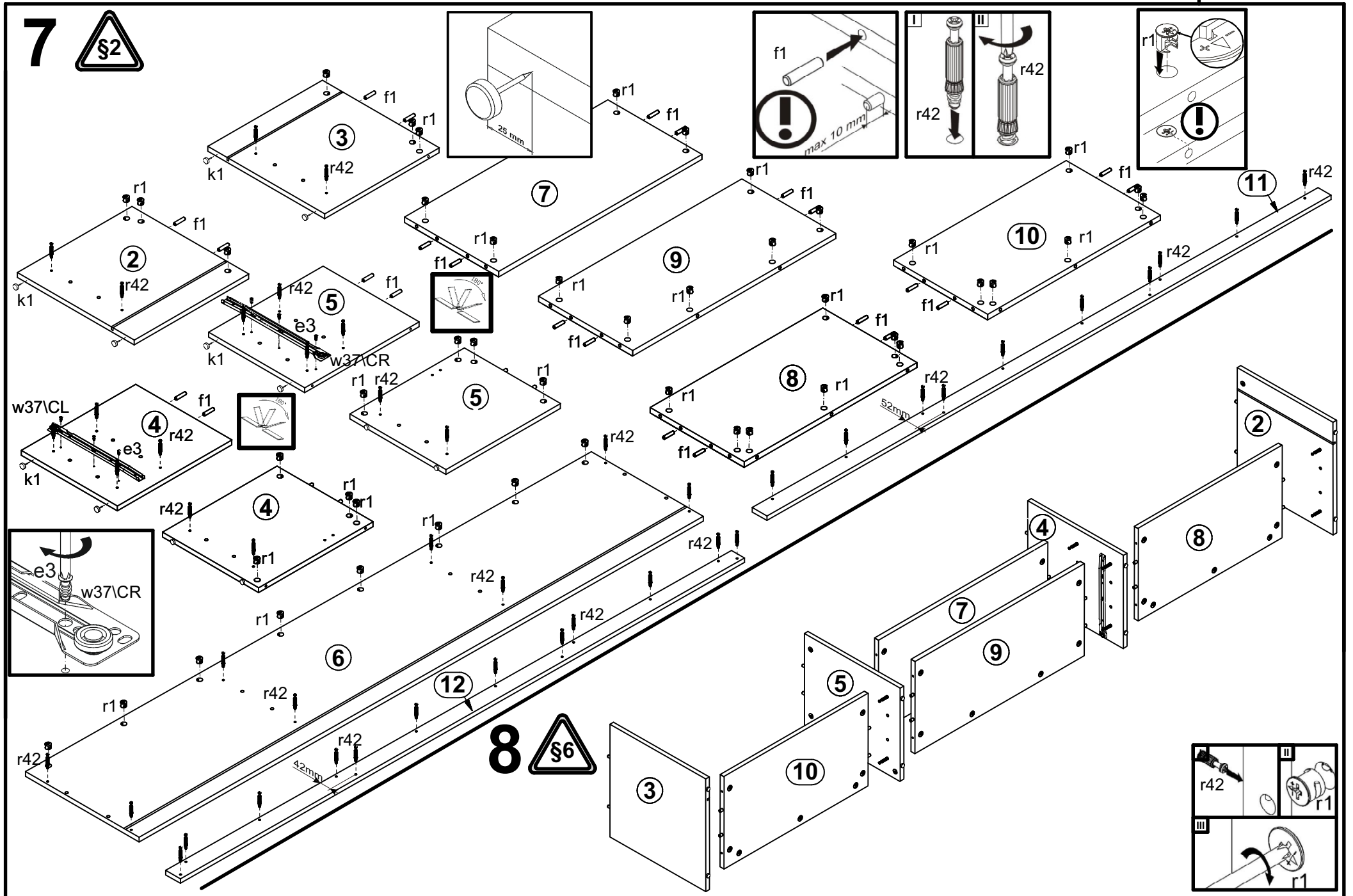
6

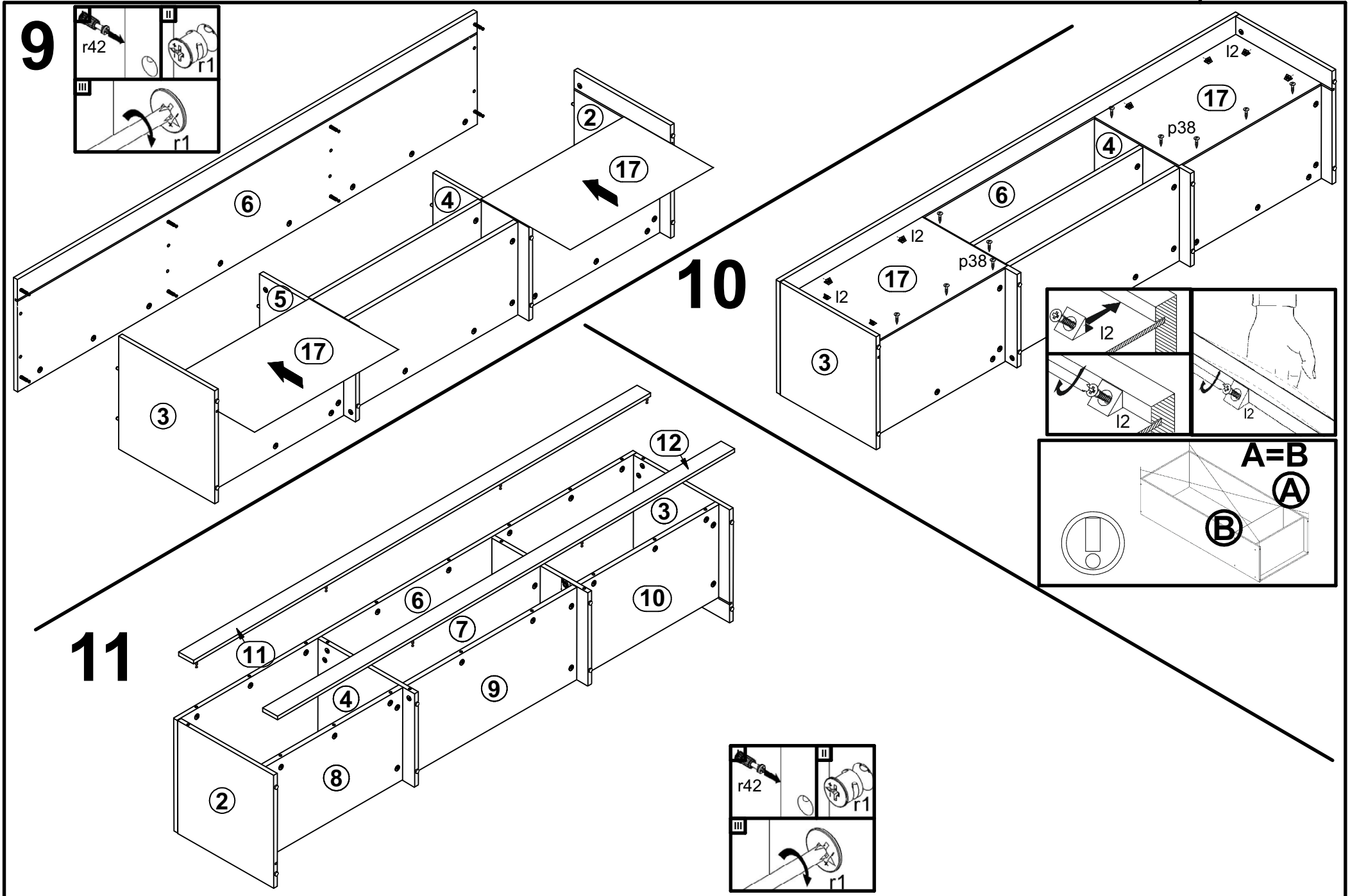




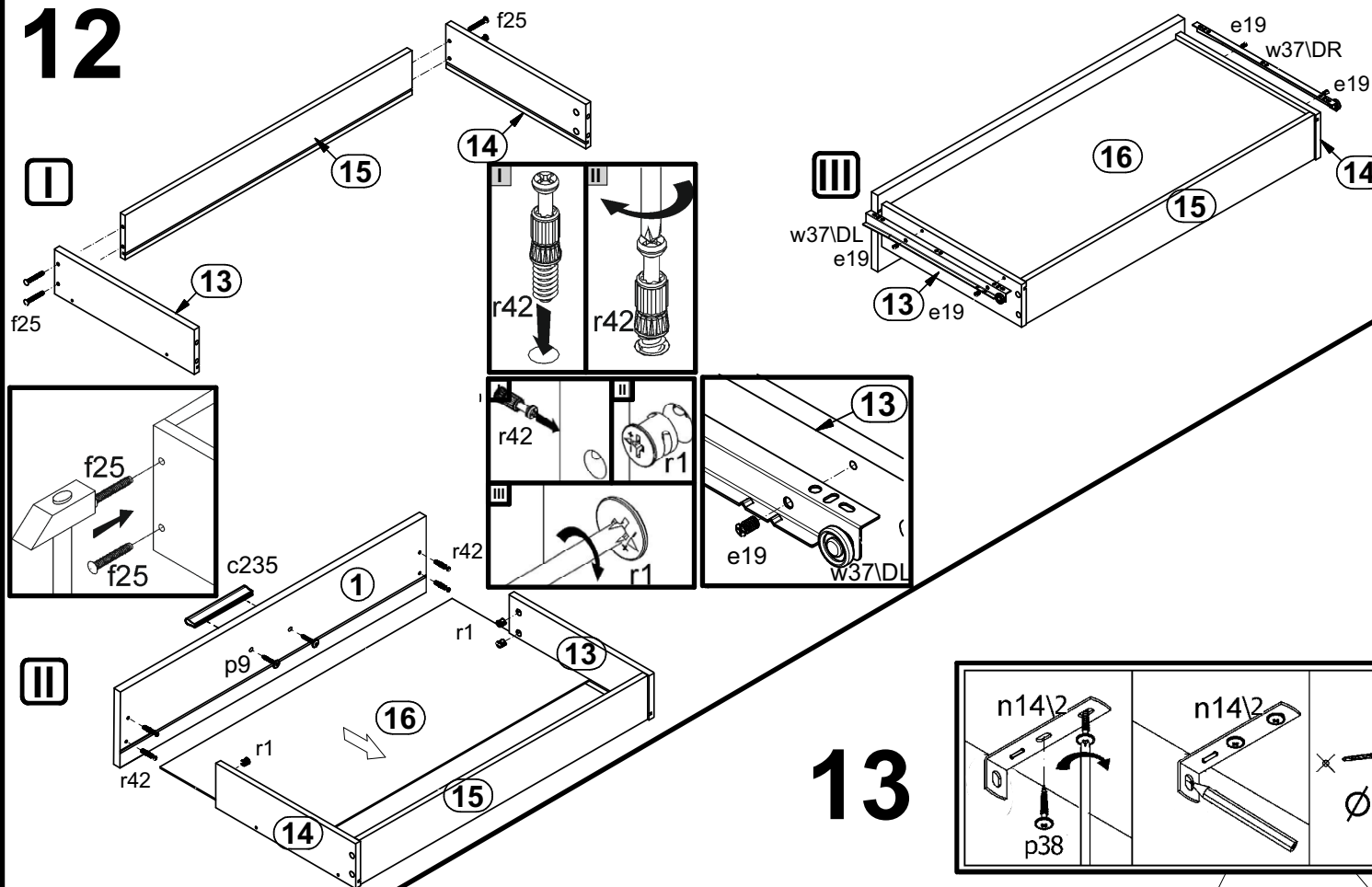
A	B	C (mm)		D
1	N46-001	645	135	1/4
2	N46-101	374	384	2/4
3	N46-102	374	384	2/4
4	N46-103	374	320	2/4
5	N46-104	374	320	2/4
6	N46-201	1850	384	1/4
7	N46-301	635	320	2/4
8	N46-302	575	320	2/4
9	N46-303	635	320	2/4
10	N46-304	575	320	2/4
11	N46-501	1850	60	1/4
12	N46-502	1850	60	1/4
13	N46-503	300	90	1/4
14	N46-504	300	90	1/4
15	N46-505	578	90	1/4
16	N46-901	588	300	1/4
17	N46-902	332	593	1/4



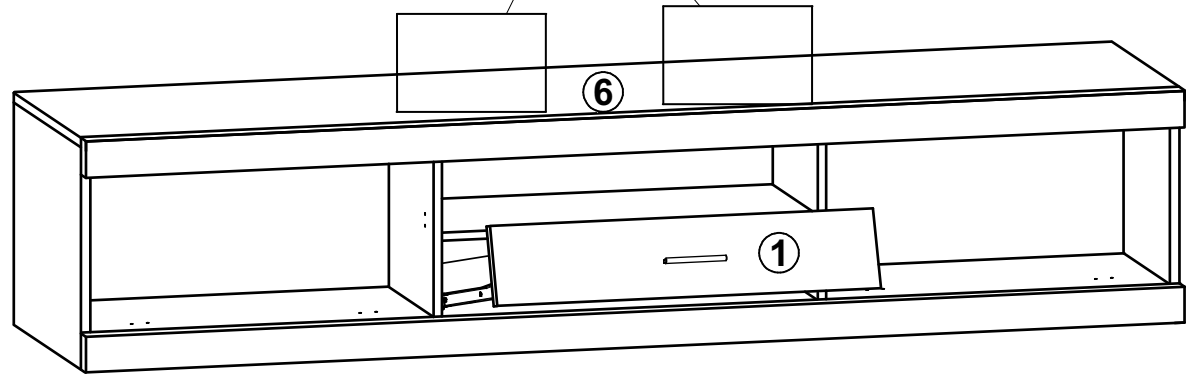
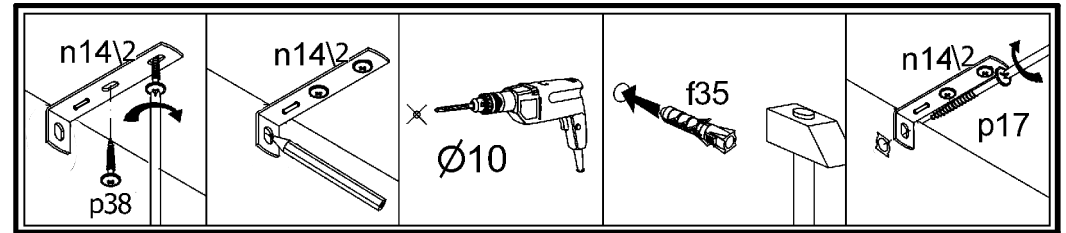


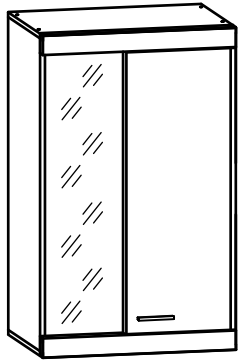


12

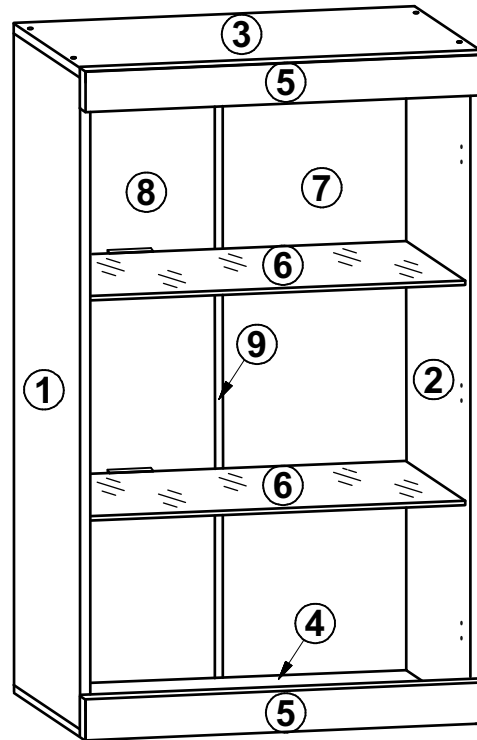


13

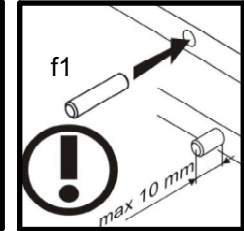
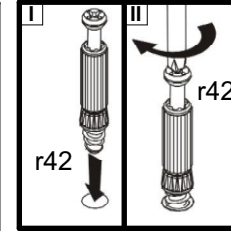
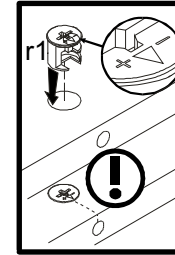
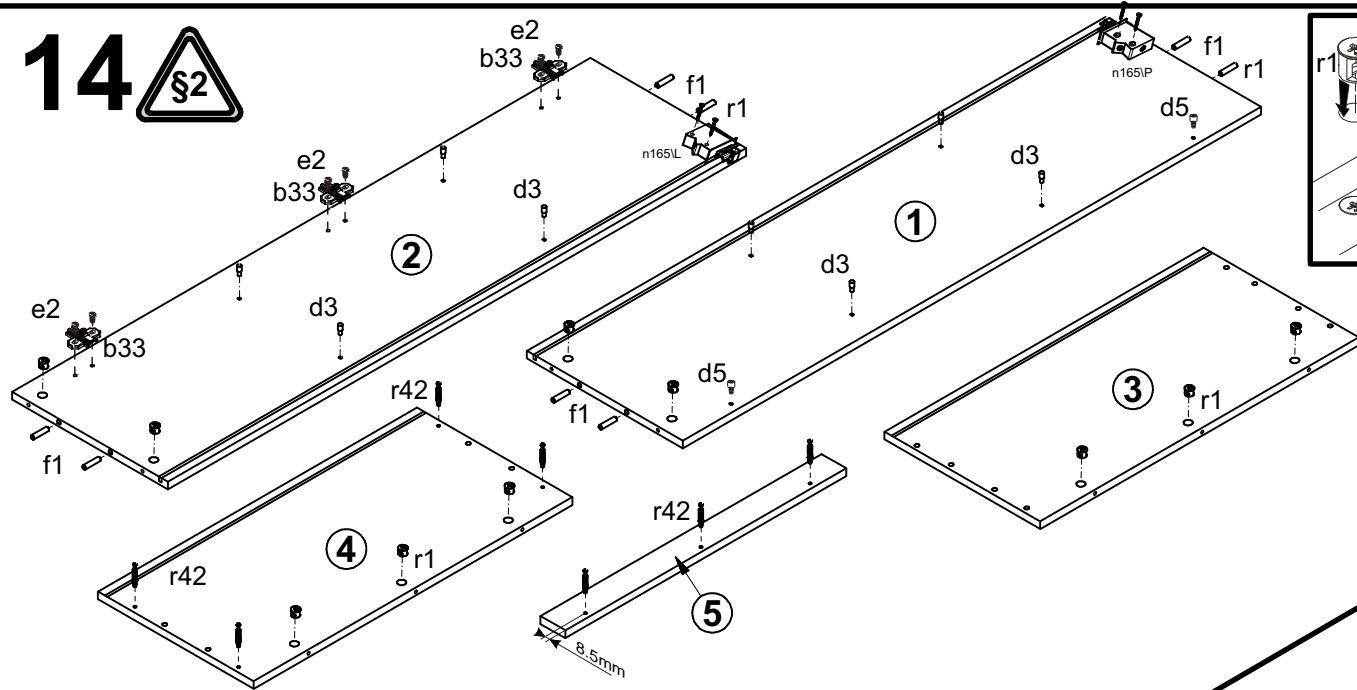




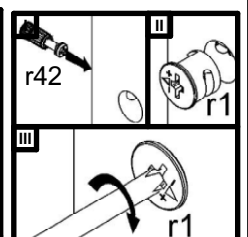
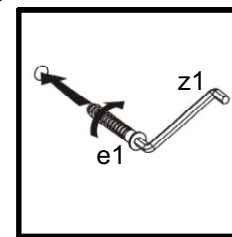
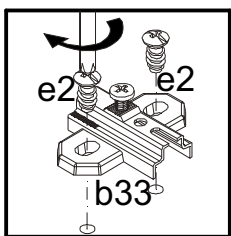
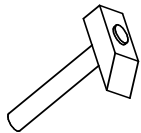
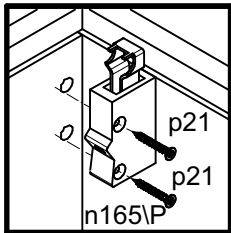
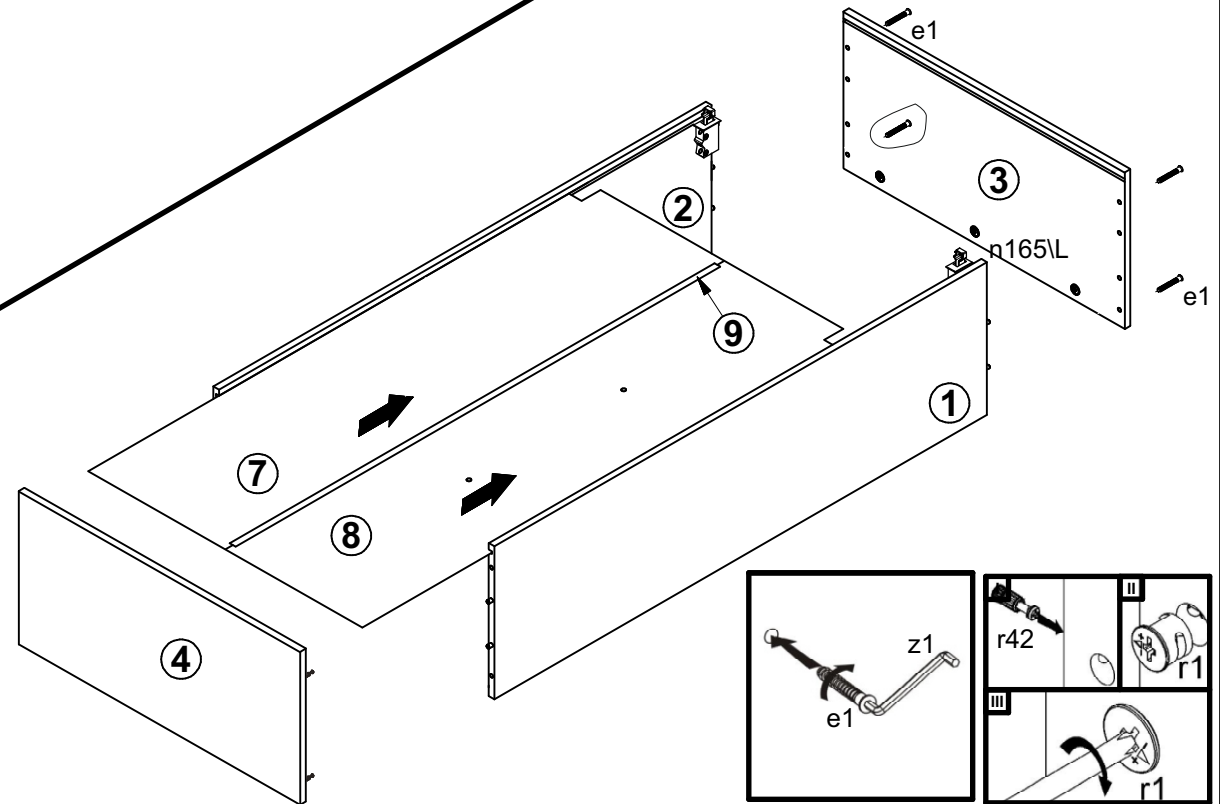
A	B	C (mm)		D
1	N46-105	968	338	3/4
2	N46-106	968	338	3/4
3	N46-202	600	338	3/4
4	N46-303	600	338	3/4
5	N46-506	600	60	3/4
6	N46-507	565	290	3/4
7	N46-903	978	288	3/4
8	N46-904	978	288	3/4
9	Lh-960	960	14	3/4



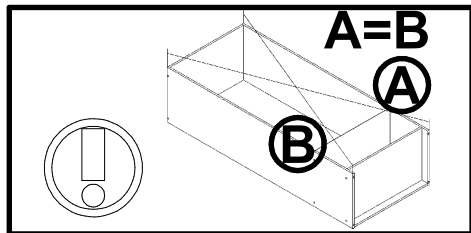
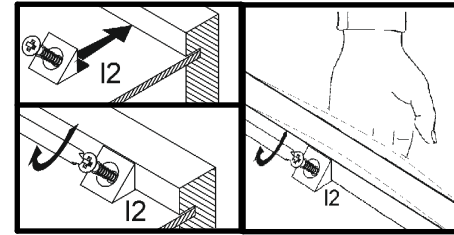
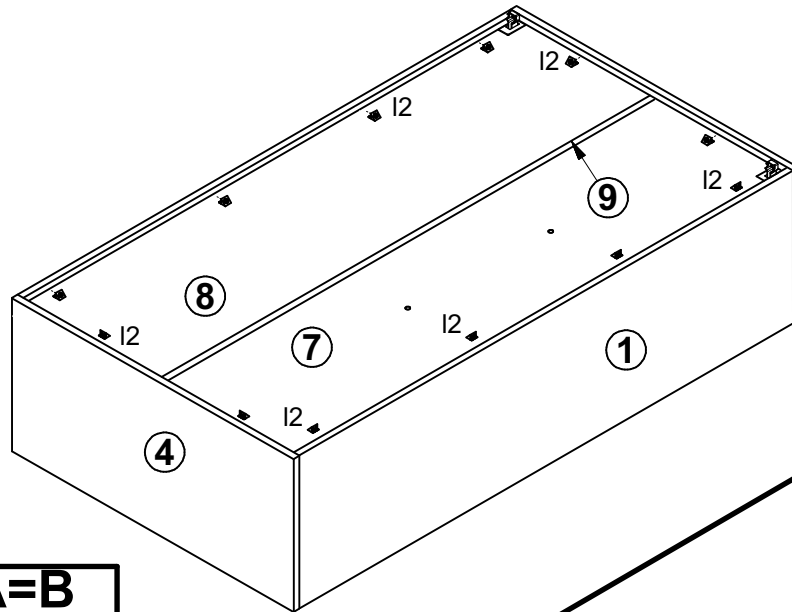
14



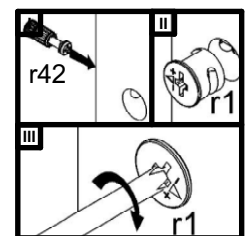
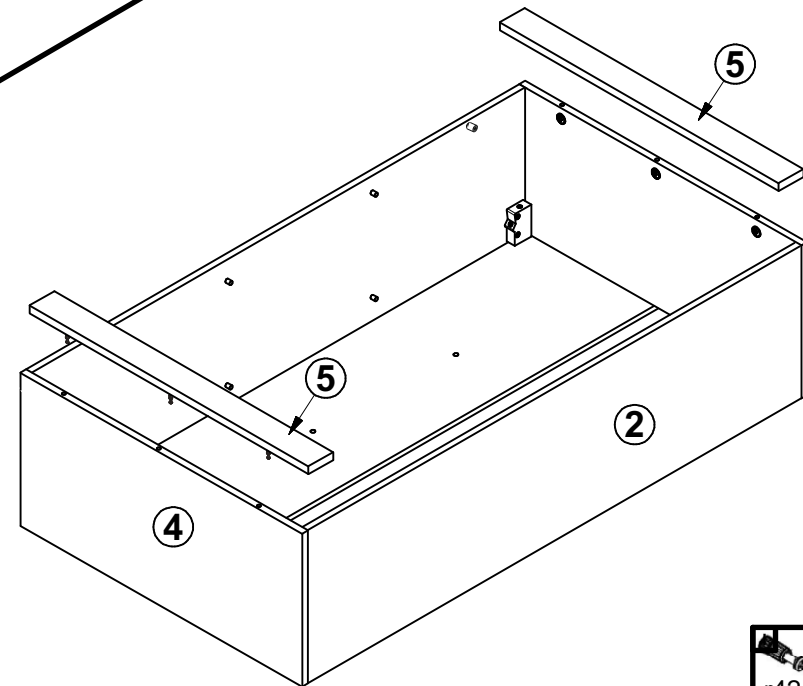
15



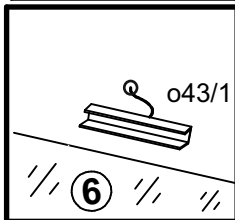
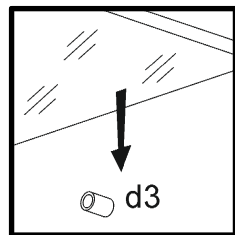
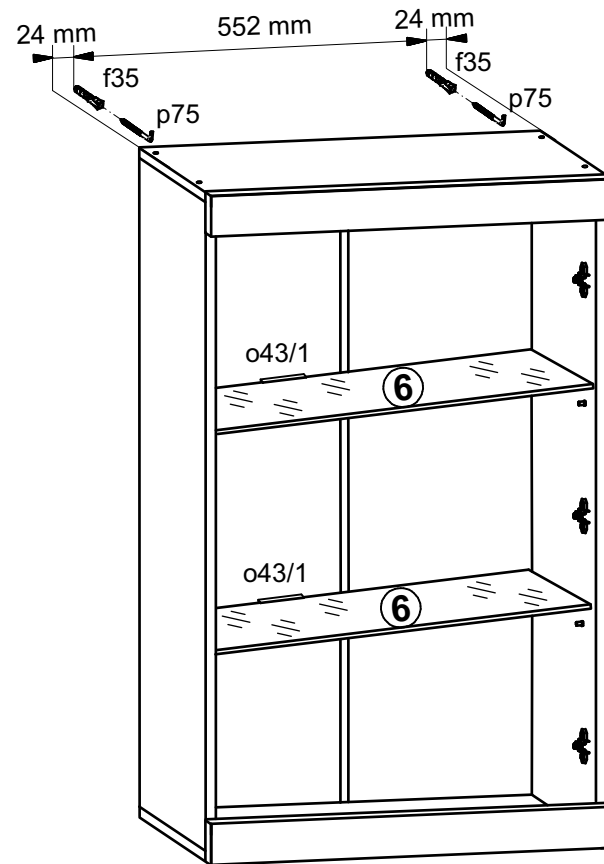
16



17



18



Top Right: Safety icons: thumbs up, eye, and a crossed-out symbol.

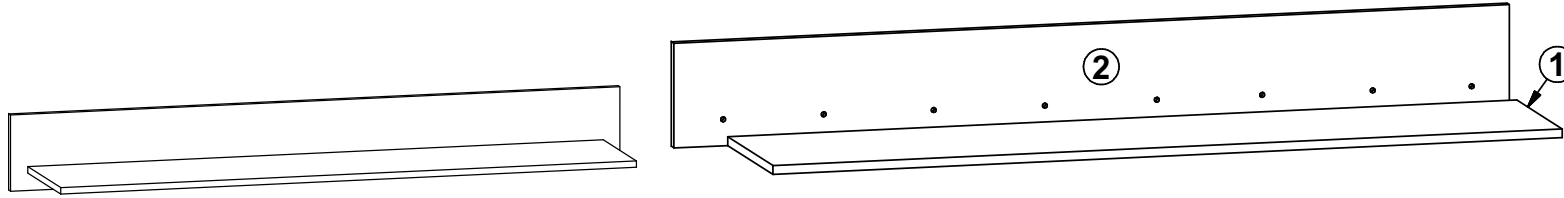
Second Row: Left: Drill with bit labeled $\phi 10\text{mm}$. Right: Drill bit $f35$ being used on a shelf.

Third Row: Left: Drill bit $f35$ and hole $p75$. Right: Drill bit $f35$ being used on a shelf.

Fourth Row: Left: A 1 cm gap between a shelf and a side panel, with hole $p75$. Right: Warning icon (exclamation mark) and a shopping cart icon.

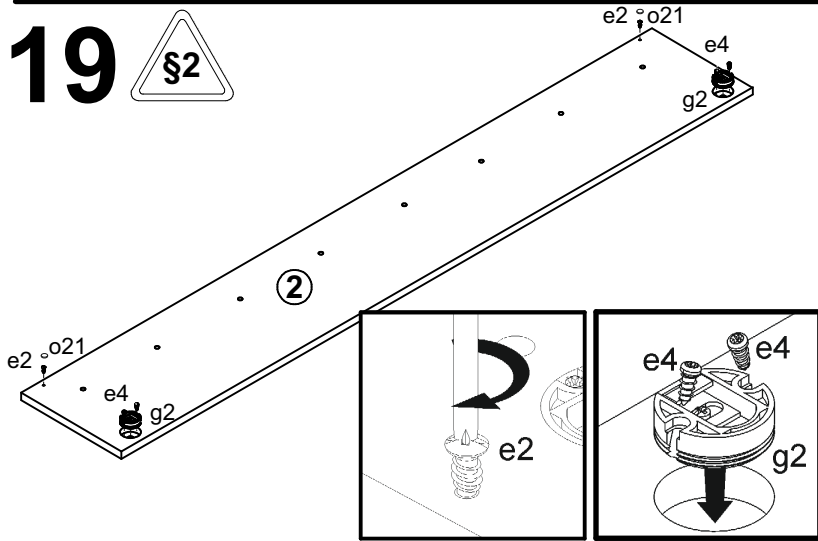
Fifth Row: Left: Part $n165$ being inserted into hole $p75$. Middle: Warning icon (exclamation mark). Right: Part $n165$ being inserted into hole $p75$ with a warning icon (exclamation mark).

Bottom Row: Left: Warning icon (exclamation mark in a triangle) with '\$10'. Middle: Two diagrams showing a shelf being pushed into a cabinet and secured with a screwdriver.

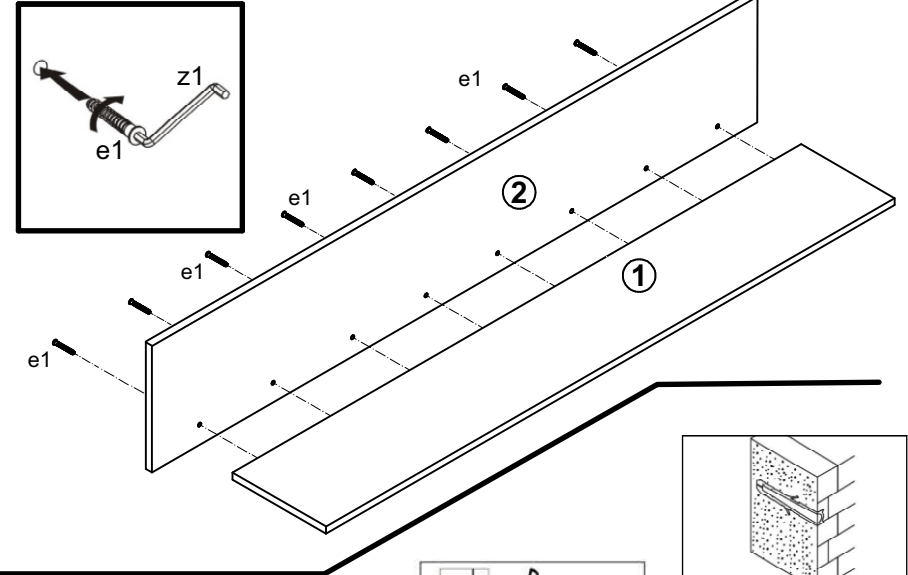


A	B	C (mm)	D
1	N46-306	1200	204
2	N46-401	1300	240

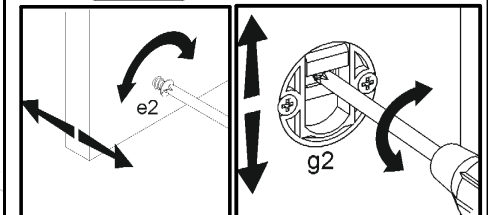
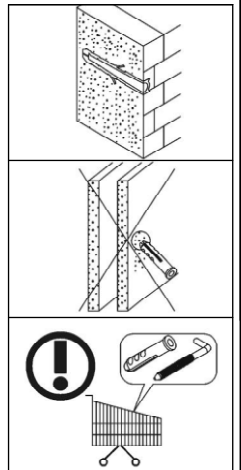
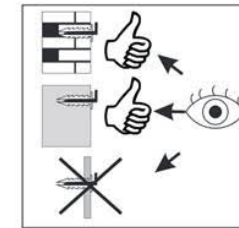
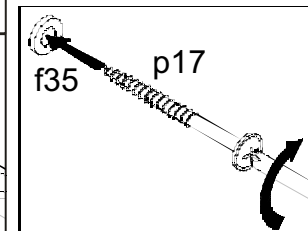
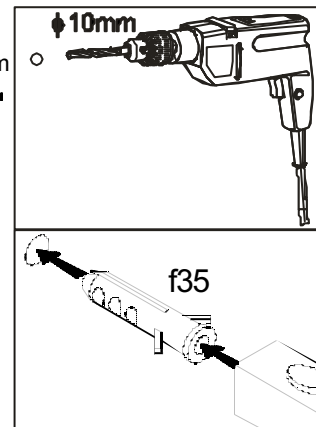
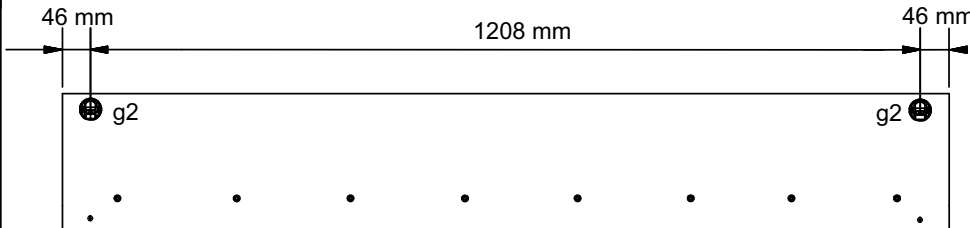
19

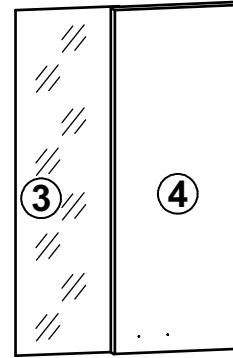
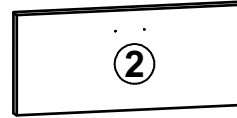
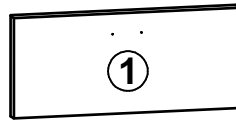
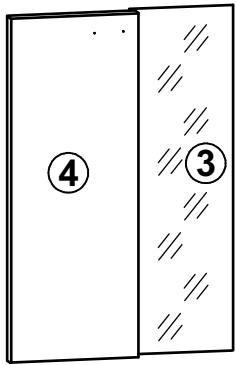


20



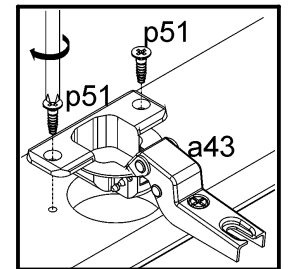
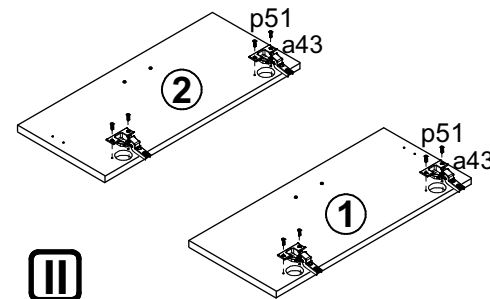
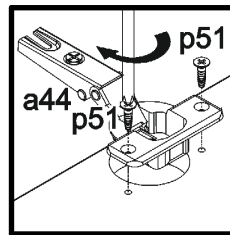
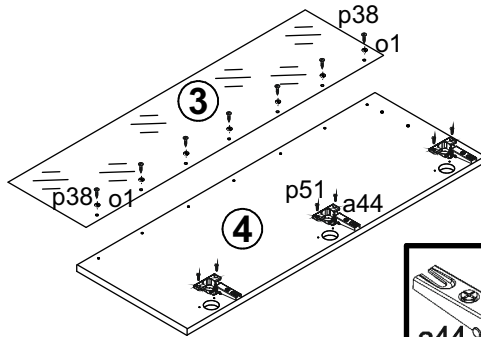
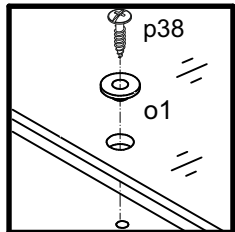
21





A	B	C (mm)		D
1	N46-002	599	265	1/4
2	N46-003	599	265	1/4
3	N46-508	876	270	3/4 4/4
4	N46-701	876	340	3/4 4/4

22



23

